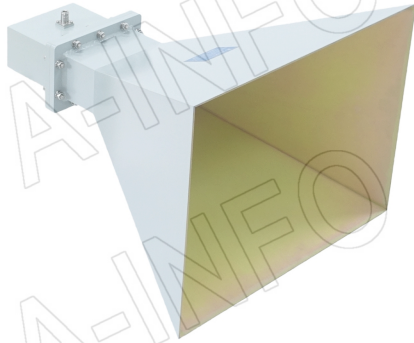


For reference only. See data sheet for the detailed specifications.

## Technical Specification

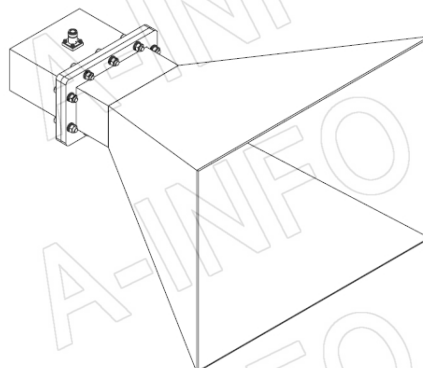
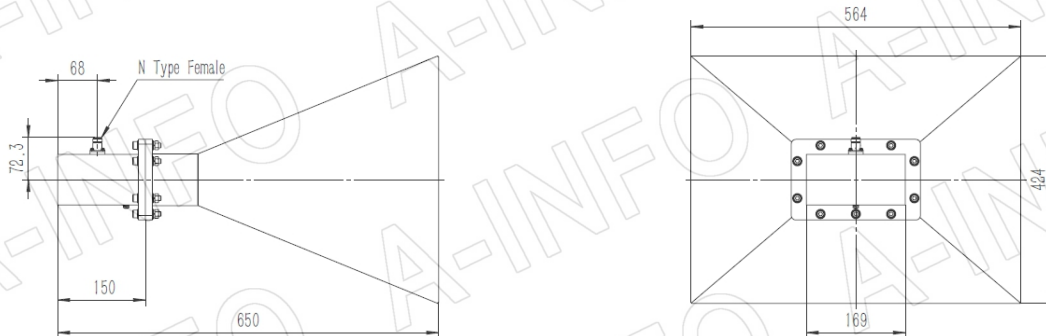


Frequency Range(GHz)	1.0 - 2.0
Gain(dBi)	15 Typ.
Polarization	Linear
3dB Beamwidth(deg)	E Plane: 34 - 19
	H Plane: 36 - 20
Cross Pol. Isolation(dB)	35 Typ.
VSWR	1.5:1 Typ.
Output	N-Female or SMA-Female or 7/16-Female
Power Handling(W CW)	N-Female: 300 Max.
	SMA-Female: 50 Max.
	7/16-Female: 500 Max.
Material	Al
Finish	Chemical Conversion Coating, Gray Paint
Size(mm)	564 x 424 x 650
Net Weight(Kg)	6.95 Around

## Outline Drawing (Size: mm)

N-Female Output (P/N: LB-OH-650-15-C-NF)

For SMA-Female or 7/16-Female output outline drawing, please contact A-INFO.



## AINFO Inc.

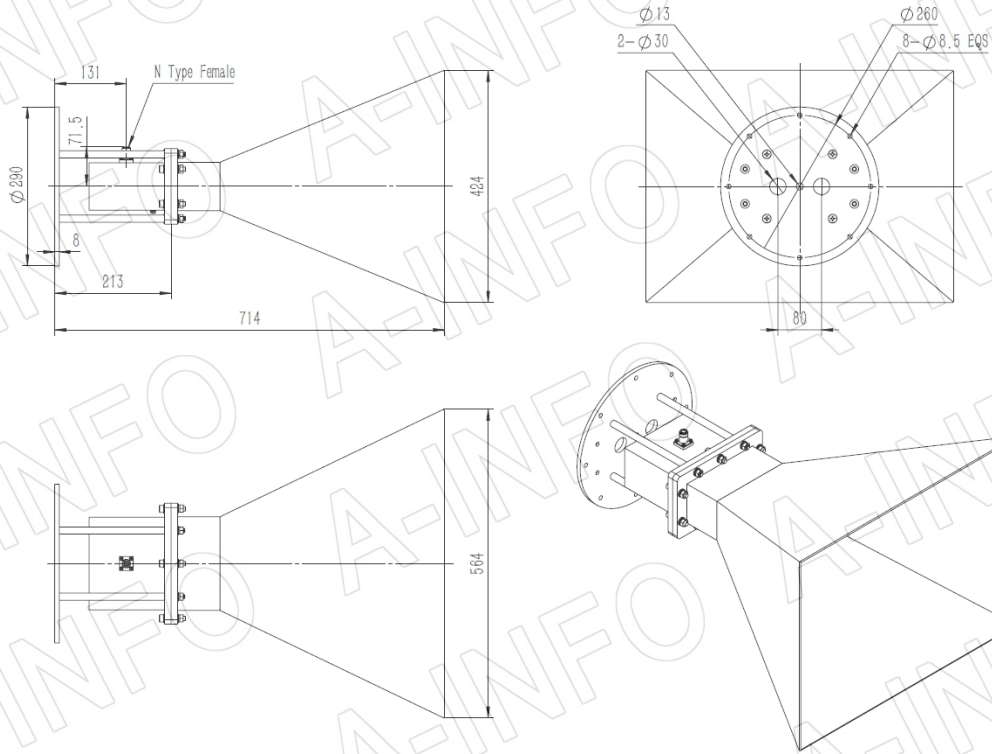
China(Beijing): Tel: (+86) 10-6266-7326,  
China(Chengdu): Tel: (+86) 28-8519-2786,  
USA: Tel: (+1) 949-639-9688,

(+86) 10-6266-7327 Fax: (+86) 10-6266-7379  
(+86) 28-8519-3044 Fax: (+86) 28-8519-3068  
(+1) 949-639-9608 Fax: (+1) 949-639-9670

Website: [www.ainfoinc.com](http://www.ainfoinc.com)  
Email: [sales@ainfoinc.com](mailto:sales@ainfoinc.com)

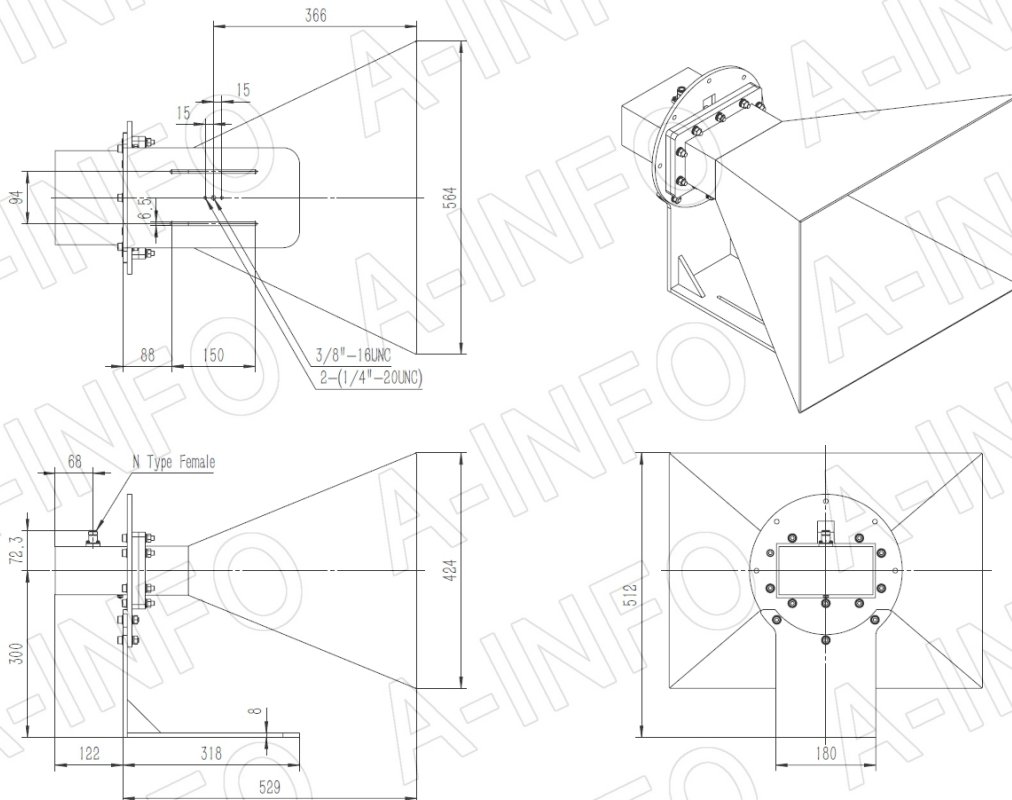
## N-Female Output with Round Mounting Bracket (Option, P/N: LB-650-10-C-MB)

For SMA-Female or 7/16-Female output outline drawing, please contact A-INFO.



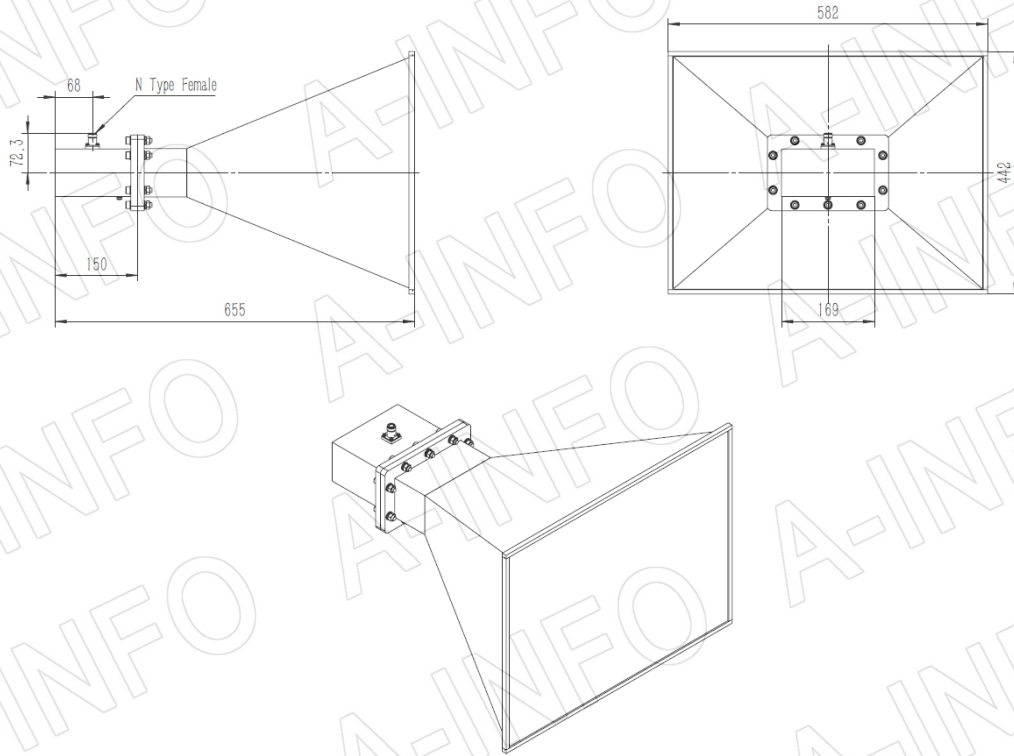
## N-Female Output with L Type Mounting Bracket (Option, P/N: LB-650-15-C-L)

For SMA-Female or 7/16-Female output outline drawing, please contact A-INFO.



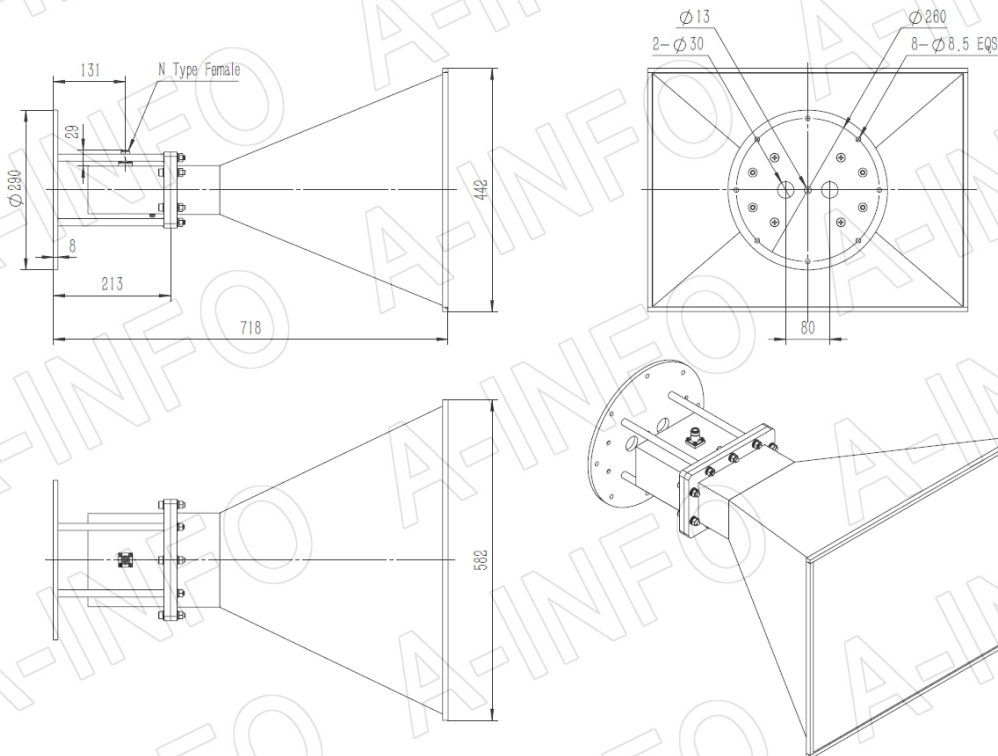
**N-Female Output with Radome (Option, P/N: LB-OH-650-15-C-NFSPO, Outdoor Application)**

For SMA-Female or 7/16-Female output outline drawing, please contact A-INFO.



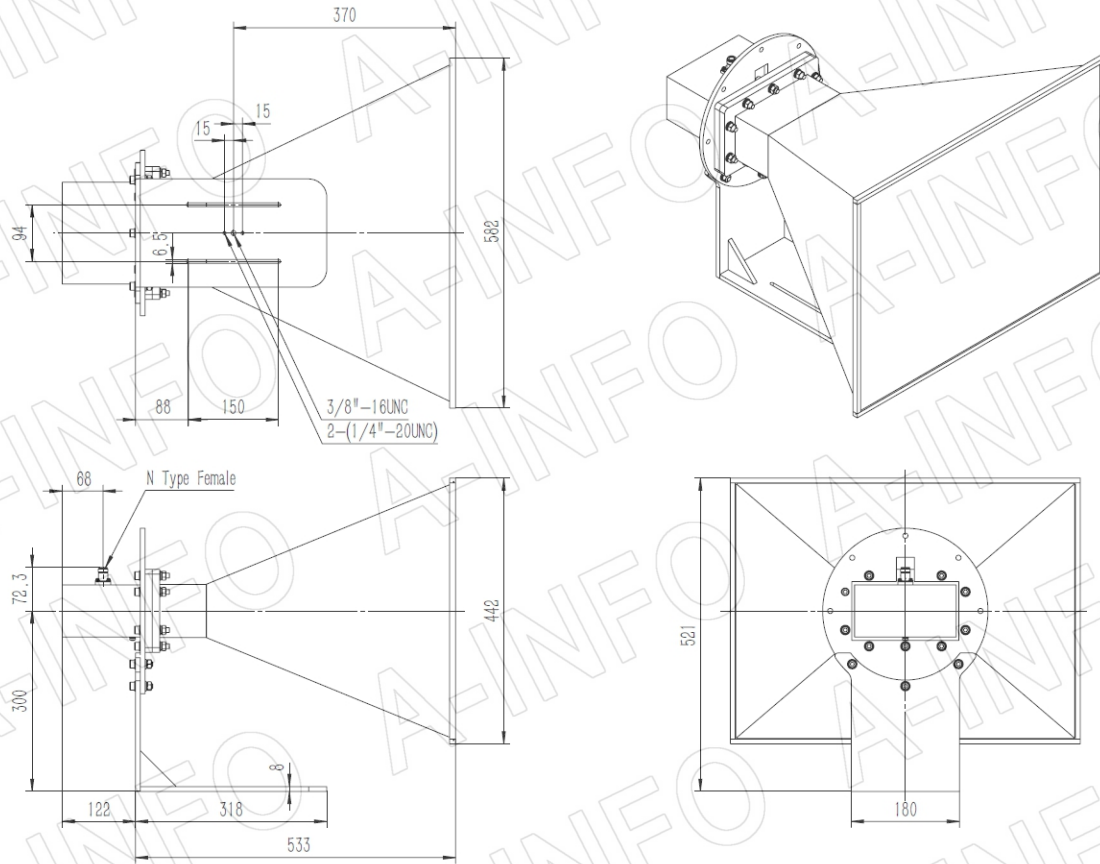
**N-Female Output with Round Mounting Bracket & Radome (Option, P/N: LB-650-10-C-MB & LB-OH-650-15-C-NFSPO, Outdoor Application)**

For SMA-Female or 7/16-Female output outline drawing, please contact A-INFO.



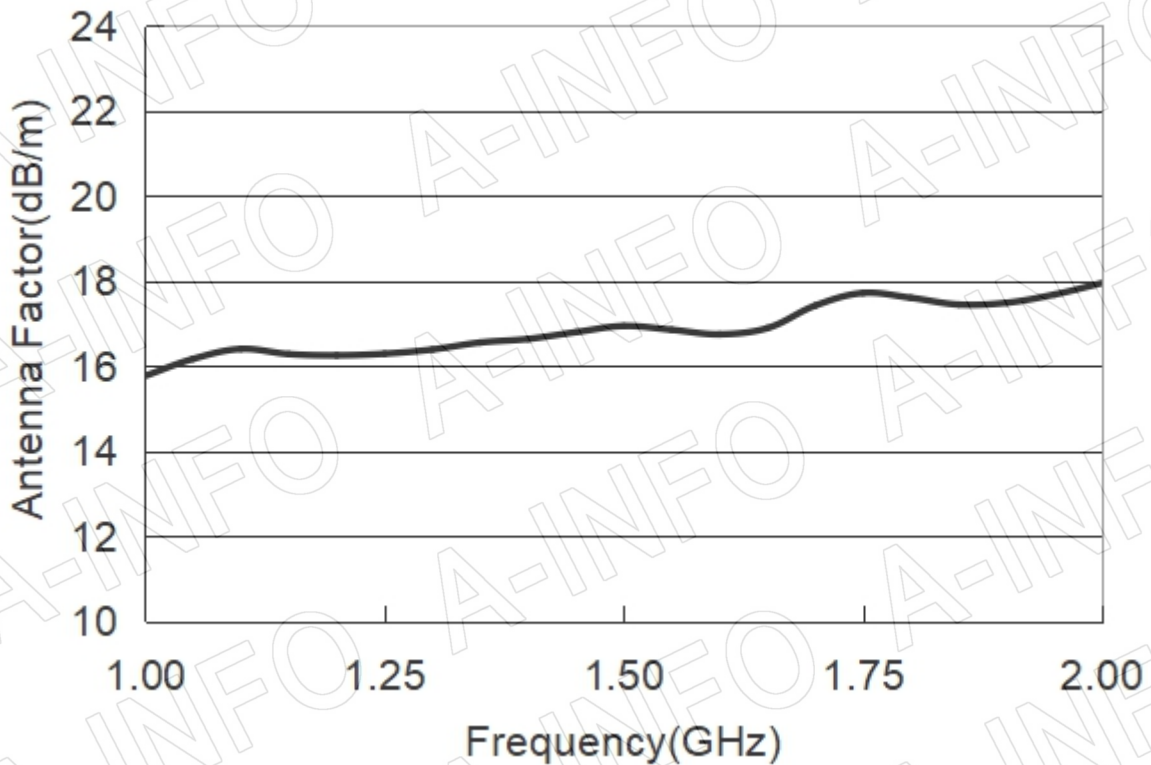
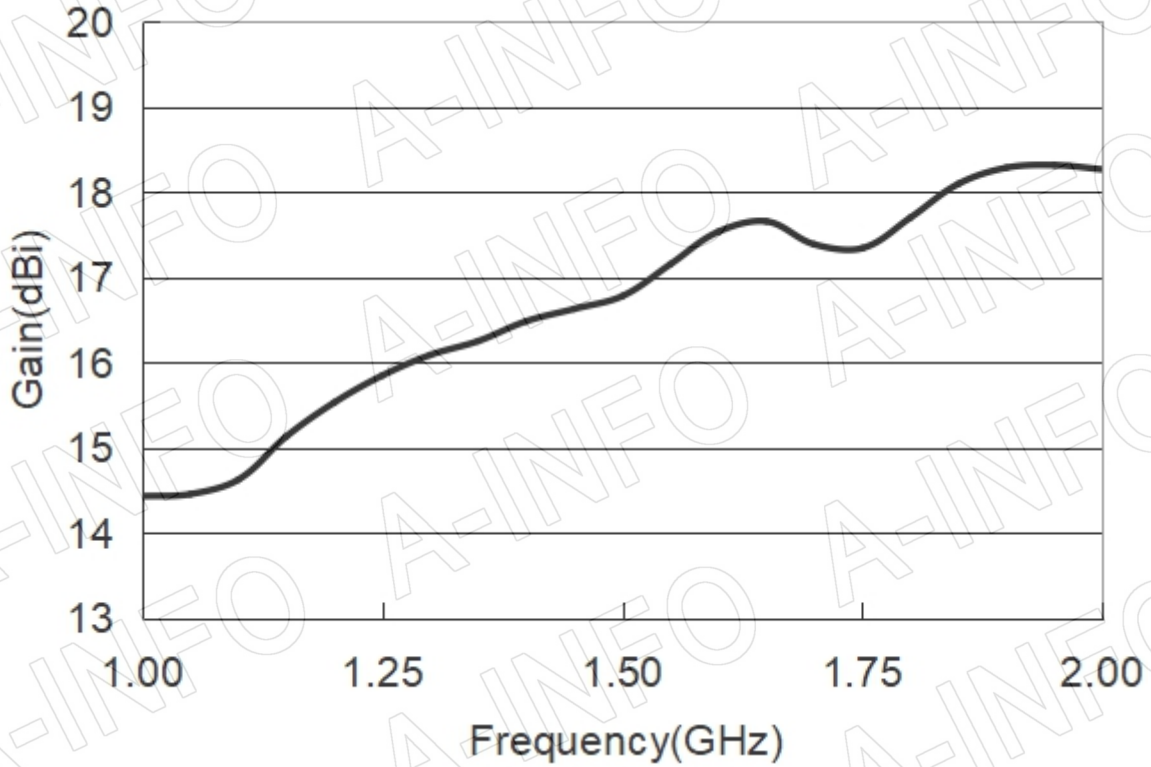
**N-Female Output with L Type Mounting Bracket & Radome (Option, P/N: LB-650-15-C-L & LB-OH-650-15-C-NFSP0, Outdoor Application)**

For SMA-Female or 7/16-Female output outline drawing, please contact A-INFO.

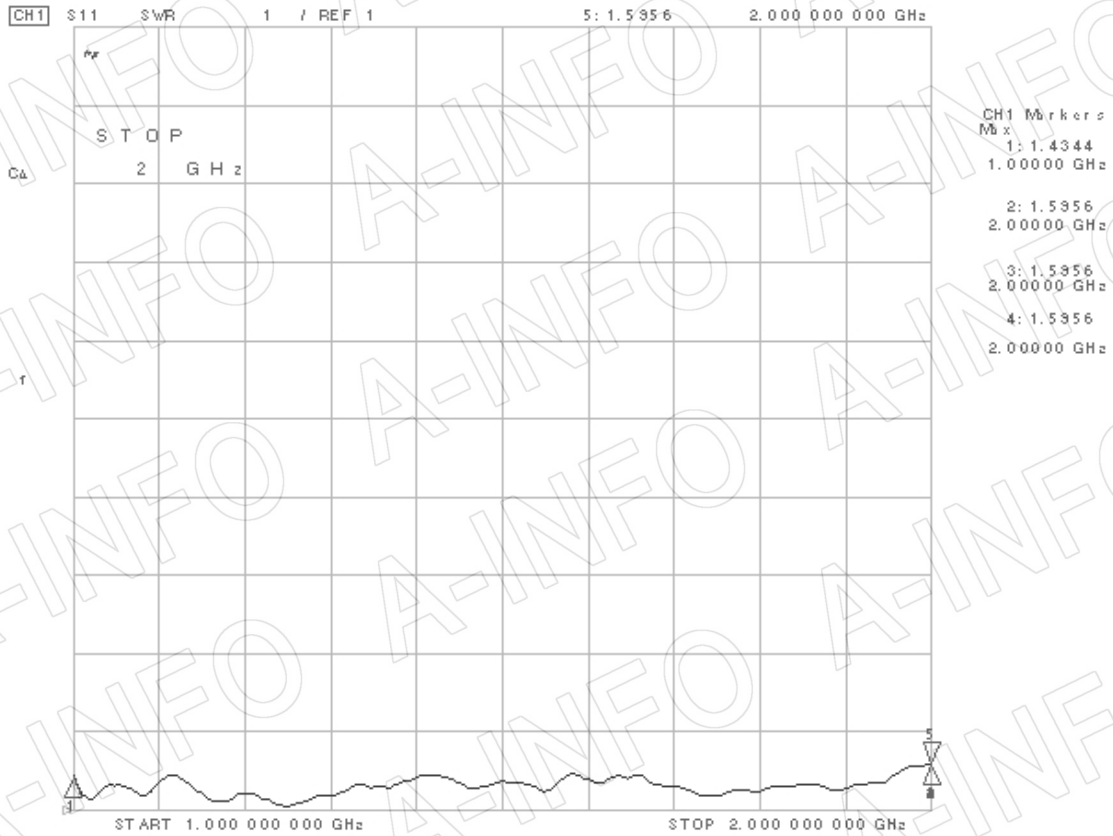


## Test Results

### 1. Gain & Antenna Factor



## 2. VSWR



### AINFO Inc.

China(Beijing): Tel: (+86) 10-6266-7326,  
China(Chengdu): Tel: (+86) 28-8519-2786,  
USA: Tel: (+1) 949-639-9688,

Page 6 of 7

(+86) 10-6266-7327 Fax: (+86) 10-6266-7379  
(+86) 28-8519-3044 Fax: (+86) 28-8519-3068  
(+1) 949-639-9608 Fax: (+1) 949-639-9670

Website: [www.ainfoinc.com](http://www.ainfoinc.com)  
Email: [sales@ainfoinc.com](mailto:sales@ainfoinc.com)

## 3. Pattern

